

TRAFFIC DATA

US 169 & Bloomington Ferry Rd ER
 City: Eden Prairie
 Data by: Flow Labs
 Turning Movement Count

File Name: US 169 & Bloomington Ferry Rd ER 2024
 Dates: 9/3/2024 - 9/19/24, No Holidays, Average
 Day of Week: Tuesday, Wednesday, Thursday
 Page No.: 1

Start Time	US 169 NB On-Ramp Southbound				Bloomington Ferry Rd Westbound				US 169 NB Off-Ramp Northbound				Bloomington Ferry Rd Eastbound				Int. Total
	Left	Thru	Right	Peds	Left	Thru	Right	Peds	Left	Thru	Right	Peds	Left	Thru	Right	Peds	
0:00	0	0	0	0	0	1	4	0	3	0	1	0	3	4	0	0	16
0:15	0	0	0	0	0	0	0	0	5	0	0	0	3	6	0	0	14
0:30	0	0	0	0	0	1	0	0	3	0	0	0	3	3	0	0	10
0:45	0	0	0	0	0	1	2	0	2	0	0	0	1	3	0	0	9
Total	0	0	0	0	0	3	6	0	13	0	1	0	10	16	0	0	49
1:00	0	0	0	0	0	0	1	0	1	0	1	0	1	3	0	0	7
1:15	0	0	0	0	0	0	1	0	3	0	0	0	0	1	0	0	5
1:30	0	0	0	0	0	1	1	0	2	1	0	0	3	2	0	0	10
1:45	0	0	0	0	0	2	2	0	2	0	1	0	1	0	0	0	8
Total	0	0	0	0	0	3	5	0	8	1	2	0	5	6	0	0	30
2:00	0	0	0	0	0	1	0	0	1	0	0	0	3	2	0	0	7
2:15	0	0	0	0	0	1	1	0	0	0	0	0	1	2	0	0	5
2:30	0	0	0	0	0	1	0	0	3	0	1	0	1	0	0	0	6
2:45	0	0	0	0	0	0	1	0	1	0	0	0	5	1	0	0	8
Total	0	0	0	0	0	3	2	0	5	0	1	0	10	5	0	0	26
3:00	0	0	0	0	0	1	0	0	1	1	1	0	1	0	0	0	5
3:15	0	0	0	0	0	0	1	0	0	0	0	0	1	1	0	0	3
3:30	0	0	0	0	0	1	0	0	1	0	2	0	1	2	0	0	7
3:45	0	0	0	0	0	0	2	0	0	0	1	0	2	1	0	0	6
Total	0	0	0	0	0	2	3	0	2	1	4	0	5	4	0	0	21
4:00	0	0	0	0	0	0	1	0	2	1	0	0	0	1	0	0	5
4:15	0	0	0	0	0	0	1	0	1	0	0	0	7	1	0	0	10
4:30	0	0	0	0	0	0	5	0	3	0	0	0	6	1	0	0	15
4:45	0	0	0	0	0	1	0	0	10	0	0	0	3	1	0	0	15
Total	0	0	0	0	0	1	7	0	16	1	0	0	16	4	0	0	45

TRAFFIC DATA

US 169 & Bloomington Ferry Rd ER
 City: Eden Prairie
 Data by: Flow Labs
 Turning Movement Count

File Name: US 169 & Bloomington Ferry Rd ER 2024
 Dates: 9/3/2024 - 9/19/24, No Holidays, Average
 Day of Week: Tuesday, Wednesday, Thursday
 Page No.: 2

Start Time	US 169 NB On-Ramp Southbound				Bloomington Ferry Rd Westbound				US 169 NB Off-Ramp Northbound				Bloomington Ferry Rd Eastbound				Int. Total
	Left	Thru	Right	Peds	Left	Thru	Right	Peds	Left	Thru	Right	Peds	Left	Thru	Right	Peds	
5:00	0	0	0	0	0	0	3	0	3	2	2	0	7	2	0	0	19
5:15	0	0	0	0	0	5	2	0	2	1	1	0	16	6	0	0	33
5:30	0	0	0	0	0	3	9	0	2	1	0	0	17	8	0	0	40
5:45	0	0	0	0	0	2	20	0	14	1	3	0	17	7	0	0	64
Total	0	0	0	0	0	10	34	0	21	5	6	0	57	23	0	0	156
6:00	0	0	0	0	0	6	14	0	12	3	6	0	24	8	0	0	73
6:15	0	0	0	0	0	10	14	0	13	4	4	0	35	13	0	0	93
6:30	0	0	0	0	0	7	19	0	19	3	7	0	70	22	0	0	147
6:45	0	0	0	0	0	16	29	0	14	5	4	0	52	24	0	0	144
Total	0	0	0	0	0	39	76	0	58	15	21	0	181	67	0	0	457
7:00	0	0	0	0	0	18	47	0	16	7	13	0	78	32	0	0	211
7:15	0	0	0	0	0	24	57	0	16	2	9	0	87	45	0	0	240
7:30	0	0	0	0	0	26	52	0	14	6	8	0	118	62	0	0	286
7:45	0	0	0	0	0	34	50	0	25	4	17	0	72	54	0	0	256
Total	0	0	0	0	0	102	206	0	71	19	47	0	355	193	0	0	993
8:00	0	0	0	0	0	26	30	0	24	2	10	0	75	56	0	0	223
8:15	0	0	0	0	0	19	32	0	29	5	9	0	55	44	0	0	193
8:30	0	0	0	0	0	22	26	0	27	3	10	0	73	50	0	0	211
8:45	0	0	0	0	0	25	31	0	37	6	14	0	61	39	0	0	213
Total	0	0	0	0	0	92	119	0	117	16	43	0	264	189	0	0	840
9:00	0	0	0	0	0	23	29	0	25	4	9	0	62	43	0	0	195
9:15	0	0	0	0	0	18	39	0	30	11	14	0	65	45	0	0	222
9:30	0	0	0	0	0	28	46	0	28	3	19	0	68	51	0	0	243
9:45	0	0	0	0	0	30	40	0	28	6	16	0	53	49	0	0	222
Total	0	0	0	0	0	99	154	0	111	24	58	0	248	188	0	0	882

TRAFFIC DATA

US 169 & Bloomington Ferry Rd ER
 City: Eden Prairie
 Data by: Flow Labs
 Turning Movement Count

File Name: US 169 & Bloomington Ferry Rd ER 2024
 Dates: 9/3/2024 - 9/19/24, No Holidays, Average
 Day of Week: Tuesday, Wednesday, Thursday
 Page No.: 3

Start Time	US 169 NB On-Ramp Southbound				Bloomington Ferry Rd Westbound				US 169 NB Off-Ramp Northbound				Bloomington Ferry Rd Eastbound				Int. Total
	Left	Thru	Right	Peds	Left	Thru	Right	Peds	Left	Thru	Right	Peds	Left	Thru	Right	Peds	
10:00	0	0	0	0	0	17	34	0	23	3	8	0	50	42	0	0	177
10:15	0	0	0	0	0	25	29	0	32	4	11	0	51	54	0	0	206
10:30	0	0	0	0	0	33	30	0	27	1	11	0	54	42	0	0	198
10:45	0	0	0	0	0	34	28	0	38	2	6	0	56	49	0	0	213
Total	0	0	0	0	0	109	121	0	120	10	36	0	211	187	0	0	794
11:00	0	0	0	0	0	30	28	0	37	2	10	0	56	44	0	0	207
11:15	0	0	0	0	0	27	35	0	33	3	11	1	49	49	0	0	208
11:30	0	0	0	0	0	40	35	0	56	3	11	0	48	48	0	0	241
11:45	0	0	0	0	0	34	30	0	40	1	11	1	51	45	0	0	213
Total	0	0	0	0	0	131	128	0	166	9	43	2	204	186	0	0	869
12:00	0	0	0	0	0	31	27	0	40	2	20	0	54	60	0	0	234
12:15	0	0	0	0	0	29	29	0	39	0	11	0	63	68	0	0	239
12:30	0	0	0	0	0	33	36	0	27	3	8	0	52	62	0	0	221
12:45	0	0	0	0	0	26	33	0	37	4	13	0	45	50	0	0	208
Total	0	0	0	0	0	119	125	0	143	9	52	0	214	240	0	0	902
13:00	0	0	0	0	0	30	41	0	37	2	12	1	49	51	0	0	223
13:15	0	0	0	1	0	32	29	0	36	3	8	0	47	55	0	0	211
13:30	0	0	0	1	0	34	28	0	28	3	7	0	35	57	0	0	193
13:45	0	0	0	0	0	30	28	0	36	2	13	0	43	45	0	0	197
Total	0	0	0	2	0	126	126	0	137	10	40	1	174	208	0	0	824
14:00	0	0	0	1	0	35	28	0	42	2	11	0	52	56	0	0	227
14:15	0	0	0	0	0	30	27	0	33	3	13	1	45	48	0	0	200
14:30	0	0	0	1	0	33	33	0	43	1	12	0	40	34	0	0	197
14:45	0	0	0	0	0	25	29	0	35	1	12	2	35	61	0	0	200
Total	0	0	0	2	0	123	117	0	153	7	48	3	172	199	0	0	824

TRAFFIC DATA

US 169 & Bloomington Ferry Rd ER
 City: Eden Prairie
 Data by: Flow Labs
 Turning Movement Count

File Name: US 169 & Bloomington Ferry Rd ER 2024
 Dates: 9/3/2024 - 9/19/24, No Holidays, Average
 Day of Week: Tuesday, Wednesday, Thursday
 Page No.: 4

Start Time	US 169 NB On-Ramp Southbound				Bloomington Ferry Rd Westbound				US 169 NB Off-Ramp Northbound				Bloomington Ferry Rd Eastbound				Int. Total
	Left	Thru	Right	Peds	Left	Thru	Right	Peds	Left	Thru	Right	Peds	Left	Thru	Right	Peds	
15:00	0	0	0	0	0	30	30	0	41	4	11	2	50	66	0	0	234
15:15	0	0	0	0	0	38	32	0	48	2	17	0	44	79	0	0	260
15:30	0	0	0	0	0	44	32	0	38	0	20	2	43	67	0	0	246
15:45	0	0	0	0	0	47	29	0	54	2	19	0	45	104	0	0	300
Total	0	0	0	0	0	159	123	0	181	8	67	4	182	316	0	0	1040
16:00	0	0	0	1	0	56	33	0	50	2	12	2	52	78	0	0	286
16:15	0	0	0	0	0	54	28	0	57	2	17	2	54	103	0	0	317
16:30	0	0	0	1	0	50	35	0	61	3	18	0	58	107	0	0	333
16:45	0	0	0	0	0	59	28	0	59	2	17	0	56	113	0	0	334
Total	0	0	0	2	0	219	124	0	227	9	64	4	220	401	0	0	1270
17:00	0	0	0	0	0	44	35	0	57	1	17	0	52	115	0	0	321
17:15	0	0	0	2	0	57	28	0	56	1	17	1	59	119	0	0	340
17:30	0	0	0	0	0	52	33	0	56	3	17	0	60	102	0	0	323
17:45	0	0	0	0	0	43	39	0	57	2	17	1	61	91	0	0	311
Total	0	0	0	2	0	196	135	0	226	7	68	2	232	427	0	0	1295
18:00	0	0	0	0	0	46	38	0	50	2	20	0	57	71	0	0	284
18:15	0	0	0	0	0	41	34	0	45	2	13	2	55	63	0	0	255
18:30	0	0	0	1	0	25	29	0	40	1	14	0	51	65	0	0	226
18:45	0	0	0	0	0	28	27	0	38	3	12	0	33	50	0	0	191
Total	0	0	0	1	0	140	128	0	173	8	59	2	196	249	0	0	956
19:00	0	0	0	0	0	44	27	0	39	3	10	0	34	62	0	0	219
19:15	0	0	0	0	0	35	22	0	17	1	13	0	27	50	0	0	165
19:30	0	0	0	0	0	32	32	0	28	1	7	0	24	50	0	0	174
19:45	0	0	0	0	0	23	20	0	20	1	7	0	29	56	0	0	156
Total	0	0	0	0	0	134	101	0	104	6	37	0	114	218	0	0	714

TRAFFIC DATA

US 169 & Bloomington Ferry Rd ER
 City: Eden Prairie
 Data by: Flow Labs
 Turning Movement Count

File Name: US 169 & Bloomington Ferry Rd ER 2024
 Dates: 9/3/2024 - 9/19/24, No Holidays, Average
 Day of Week: Tuesday, Wednesday, Thursday
 Page No.: 5

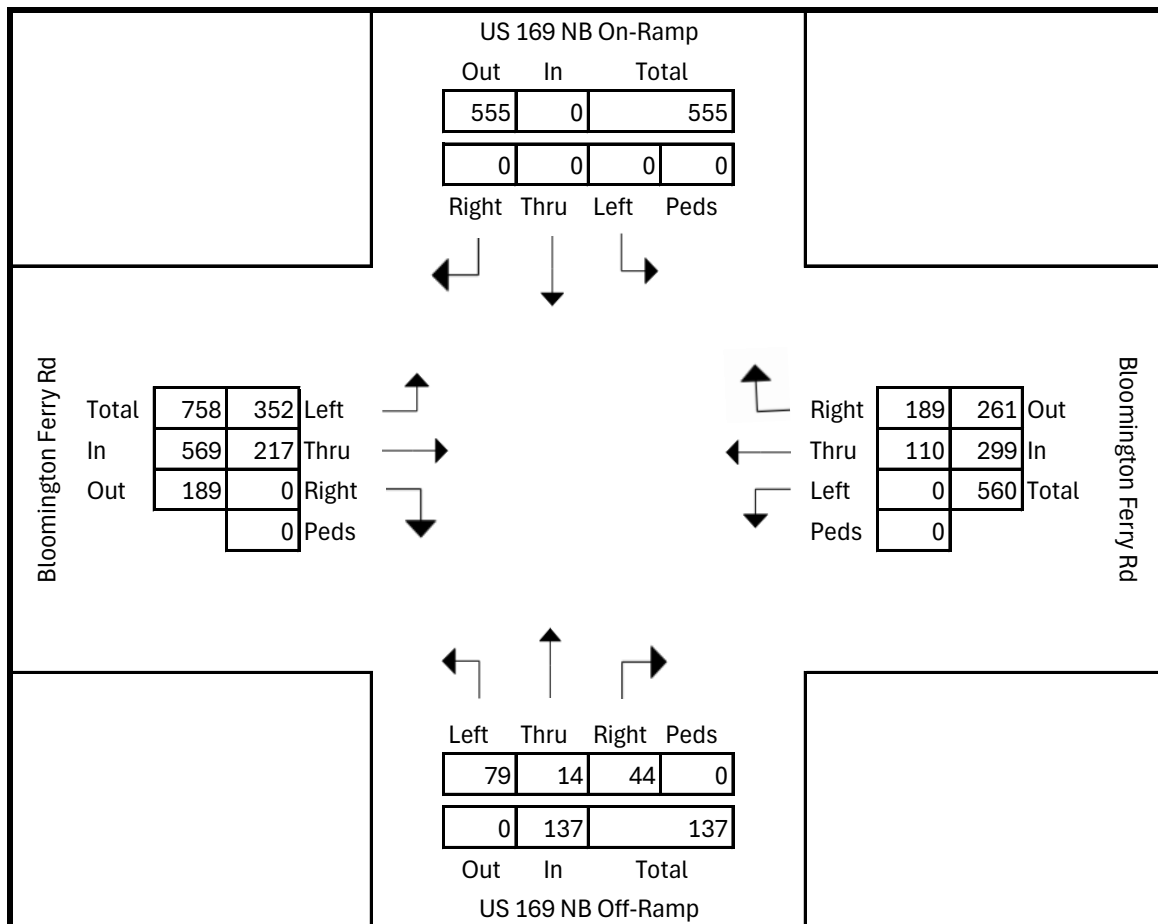
Start Time	US 169 NB On-Ramp Southbound				Bloomington Ferry Rd Westbound				US 169 NB Off-Ramp Northbound				Bloomington Ferry Rd Eastbound				Int. Total
	Left	Thru	Right	Peds	Left	Thru	Right	Peds	Left	Thru	Right	Peds	Left	Thru	Right	Peds	
20:00	0	0	0	1	0	25	22	0	25	0	4	0	20	37	0	0	134
20:15	0	0	0	0	0	24	17	0	28	2	7	1	26	39	0	0	144
20:30	0	0	0	0	0	14	10	0	22	0	6	0	16	41	0	0	109
20:45	0	0	0	0	0	16	17	0	17	1	6	0	12	36	0	0	105
Total	0	0	0	1	0	79	66	0	92	3	23	1	74	153	0	0	492
21:00	0	0	0	0	0	12	12	0	16	1	7	0	12	28	0	0	88
21:15	0	0	0	0	0	13	8	0	16	0	7	0	12	36	0	0	92
21:30	0	0	0	0	0	15	13	0	8	2	8	0	16	25	0	0	87
21:45	0	0	0	0	0	9	11	0	14	1	4	0	14	14	0	0	67
Total	0	0	0	0	0	49	44	0	54	4	26	0	54	103	0	0	334
22:00	0	0	0	0	0	6	4	0	8	1	6	1	13	25	0	0	64
22:15	0	0	0	0	0	9	9	0	7	1	3	0	8	18	0	0	55
22:30	0	0	0	0	0	8	8	0	6	0	3	0	9	15	0	0	49
22:45	0	0	0	0	0	3	4	0	5	1	1	1	3	9	0	0	27
Total	0	0	0	0	0	26	25	0	26	3	13	2	33	67	0	0	195
23:00	0	0	0	0	0	6	4	0	6	1	2	0	7	5	0	0	31
23:15	0	0	0	0	0	2	2	0	7	1	1	0	8	12	0	0	33
23:30	0	0	0	0	0	4	3	0	3	1	0	0	12	8	0	0	31
23:45	0	0	0	0	0	2	2	0	2	0	1	0	4	6	0	0	17
Total	0	0	0	0	0	14	11	0	18	3	4	0	31	31	0	0	112
Grand Total	0	0	0	10	0	1978	1986	0	2242	178	763	21	3262	3680	0	0	14120
Apprch %	-	-	-	-	0	49.9	50.1	0	70	5.56	23.8	0.66	47	53	0	0	
Total %	0	0	0	0	0	0.14	0.14	0	0.16	0.01	0.05	0	0.23	0.26	0	0	

TRAFFIC DATA

US 169 & Bloomington Ferry Rd ER
 City: Eden Prairie
 Data by: Flow Labs
 Turning Movement Count

File Name: US 169 & Bloomington Ferry Rd ER 2024
 Dates: 9/3/2024 - 9/19/24, No Holidays, Average
 Day of Week: Tuesday, Wednesday, Thursday
 Page No.: 6

AM PEAK	US 169 NB On-Ramp Southbound				Bloomington Ferry Rd Westbound				US 169 NB Off-Ramp Northbound				Bloomington Ferry Rd Eastbound				Int. Total
	Left	Thru	Right	Peds	Left	Thru	Right	Peds	Left	Thru	Right	Peds	Left	Thru	Right	Peds	
7:15	0	0	0	0	0	24	57	0	16	2	9	0	87	45	0	0	240
7:30	0	0	0	0	0	26	52	0	14	6	8	0	118	62	0	0	286
7:45	0	0	0	0	0	34	50	0	25	4	17	0	72	54	0	0	256
8:00	0	0	0	0	0	26	30	0	24	2	10	0	75	56	0	0	223
Total Volume	0	0	0	0	0	110	189	0	79	14	44	0	352	217	0	0	1005
% App. Total	-	-	-	-	0	36.8	63.2	0	57.7	10.2	32.1	0	61.9	38.1	0	0	
PHF	-	-	-	-	-	0.81	0.83	0	0.79	0.58	0.65	0	0.75	0.88	-	0	0.88
App. PHF	-				0.89				0.74				0.79				



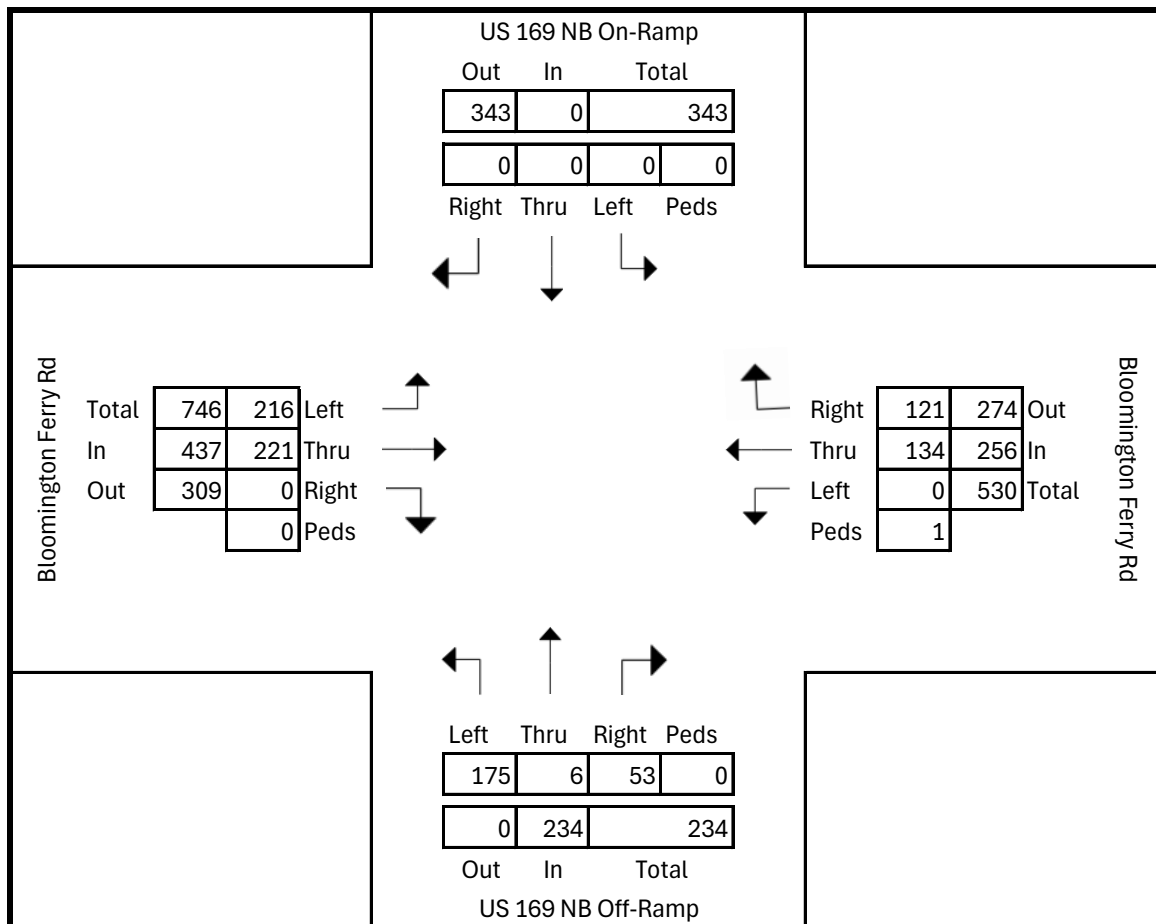
Mead & Hunt, Inc.
Bloomington, MN 55425

TRAFFIC DATA

US 169 & Bloomington Ferry Rd ER
City: Eden Prairie
Data by: Flow Labs
Turning Movement Count

File Name: US 169 & Bloomington Ferry Rd ER 2024
Dates: 9/3/2024 - 9/19/24, No Holidays, Average
Day of Week: Tuesday, Wednesday, Thursday
Page No.: 7

MID PEAK	US 169 NB On-Ramp Southbound				Bloomington Ferry Rd Westbound				US 169 NB Off-Ramp Northbound				Bloomington Ferry Rd Eastbound				Int. Total
	Left	Thru	Right	Peds	Left	Thru	Right	Peds	Left	Thru	Right	Peds	Left	Thru	Right	Peds	
11:30	0	0	0	0	0	40	35	0	56	3	11	0	48	48	0	0	241
11:45	0	0	0	0	0	34	30	1	40	1	11	0	51	45	0	0	213
12:00	0	0	0	0	0	31	27	0	40	2	20	0	54	60	0	0	234
12:15	0	0	0	0	0	29	29	0	39	0	11	0	63	68	0	0	239
Total Volume	0	0	0	0	0	134	121	1	175	6	53	0	216	221	0	0	927
% App. Total	-	-	-	-	0	52.3	47.3	0.39	74.8	2.56	22.6	0	49.4	50.6	0	0	
PHF	-	-	-	-	-	0.84	0.86	0.25	0.78	0.5	0.66	0	0.86	0.81	-	0	0.96
App. PHF	-	-	-	-	-	0.85	-	-	0.84	-	-	-	0.83	-	-	-	

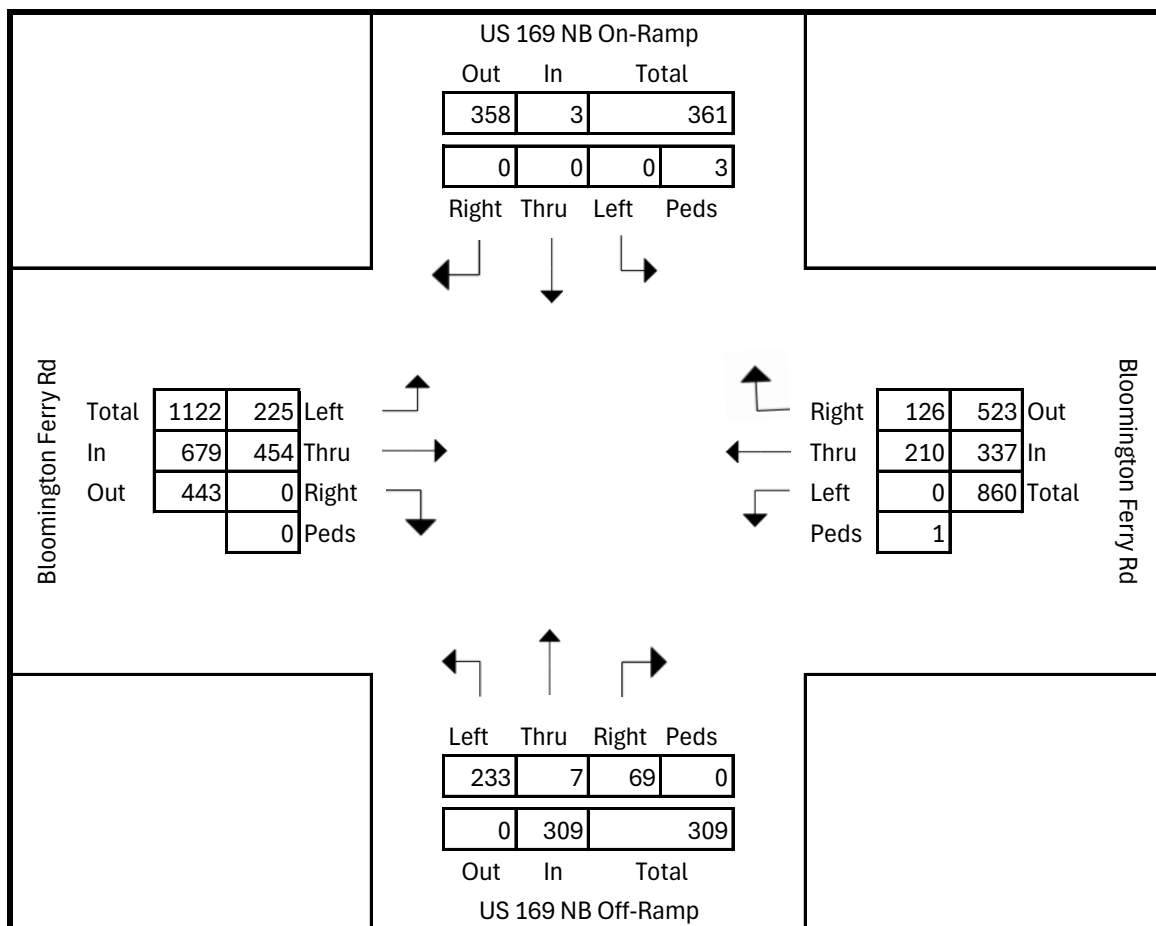


TRAFFIC DATA

US 169 & Bloomington Ferry Rd ER
City: Eden Prairie
Data by: Flow Labs
Turning Movement Count

File Name: US 169 & Bloomington Ferry Rd ER 2024
Dates: 9/3/2024 - 9/19/24, No Holidays, Average
Day of Week: Tuesday, Wednesday, Thursday
Page No.: 8

PM PEAK	US 169 NB On-Ramp Southbound				Bloomington Ferry Rd Westbound				US 169 NB Off-Ramp Northbound				Bloomington Ferry Rd Eastbound				Int. Total
	Left	Thru	Right	Peds	Left	Thru	Right	Peds	Left	Thru	Right	Peds	Left	Thru	Right	Peds	
16:30	0	0	0	1	0	50	35	0	61	3	18	0	58	107	0	0	333
16:45	0	0	0	0	0	59	28	0	59	2	17	0	56	113	0	0	334
17:00	0	0	0	0	0	44	35	0	57	1	17	0	52	115	0	0	321
17:15	0	0	0	2	0	57	28	1	56	1	17	0	59	119	0	0	340
Total Volume	0	0	0	3	0	210	126	1	233	7	69	0	225	454	0	0	1328
% App. Total	-	-	-	-	0	62.3	37.4	0.3	75.4	2.27	22.3	0	33.1	66.9	0	0	
PHF	-	-	-	-	-	0.89	0.9	0.25	0.95	0.58	0.96	0	0.95	0.95	-	0	0.98
App. PHF	-				0.97				0.94				0.95				



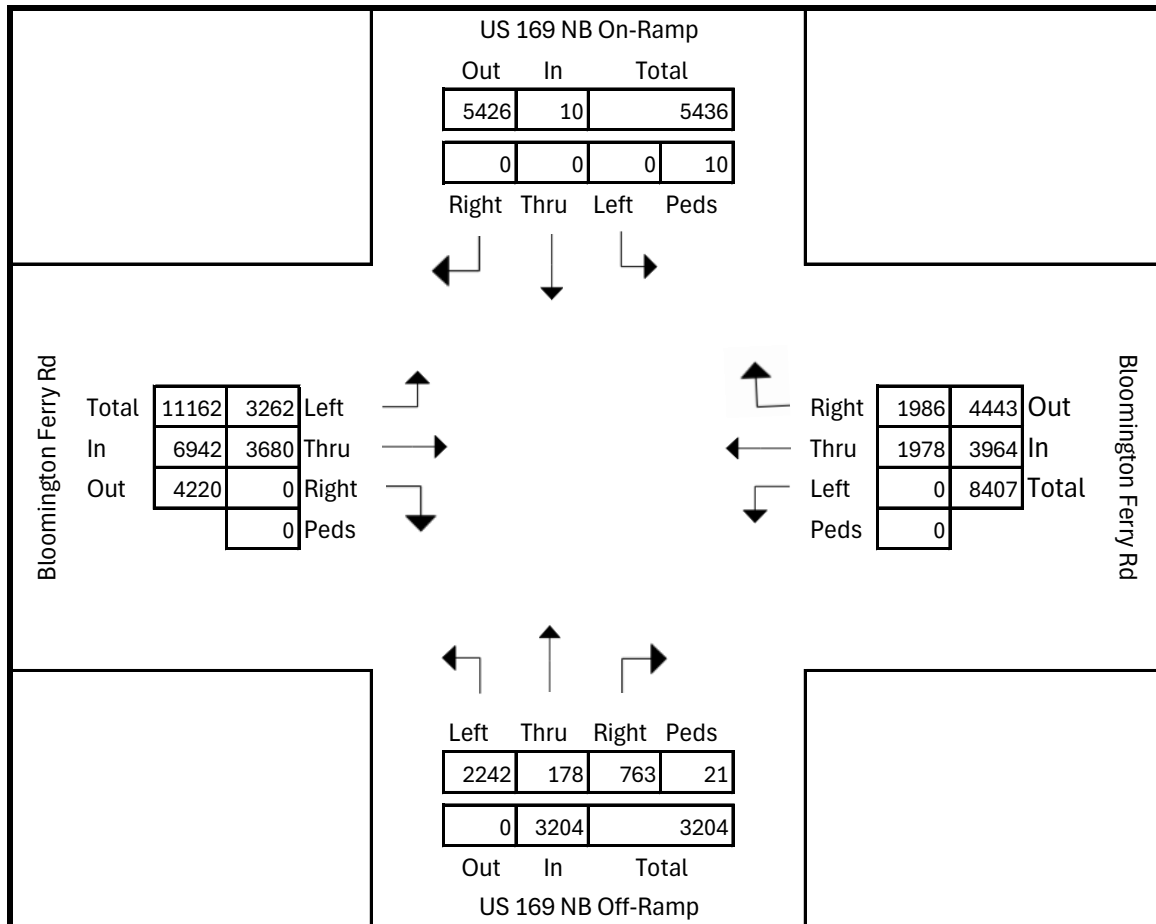
Mead & Hunt, Inc.
Bloomington, MN 55425

TRAFFIC DATA

US 169 & Bloomington Ferry Rd ER
City: Eden Prairie
Data by: Flow Labs
Turning Movement Count

File Name: US 169 & Bloomington Ferry Rd ER 2024
Dates: 9/3/2024 - 9/19/24, No Holidays, Average
Day of Week: Tuesday, Wednesday, Thursday
Page No.: 9

24 HOUR	US 169 NB On-Ramp Southbound				Bloomington Ferry Rd Westbound				US 169 NB Off-Ramp Northbound				Bloomington Ferry Rd Eastbound				Int. Total
	Left	Thru	Right	Peds	Left	Thru	Right	Peds	Left	Thru	Right	Peds	Left	Thru	Right	Peds	
Total Volume	0	0	0	10	0	1978	1986	0	2242	178	763	21	3262	3680	0	0	14120
% App. Total	-	-	-	-	0	49.9	50.1	0	70	5.56	23.8	0.66	47	53	0	0	



TRAFFIC DATA

US 169 & Bloomington Ferry Rd ER
City: Eden Prairie
Data by: Flow Labs
Turning Movement Count

File Name: US 169 & Bloomington Ferry Rd ER 2024
Dates: 9/3/2024 - 9/19/24, No Holidays, Average
Day of Week: Tuesday, Wednesday, Thursday
Page No.: 10

Intersection Volume By Time Of Day

